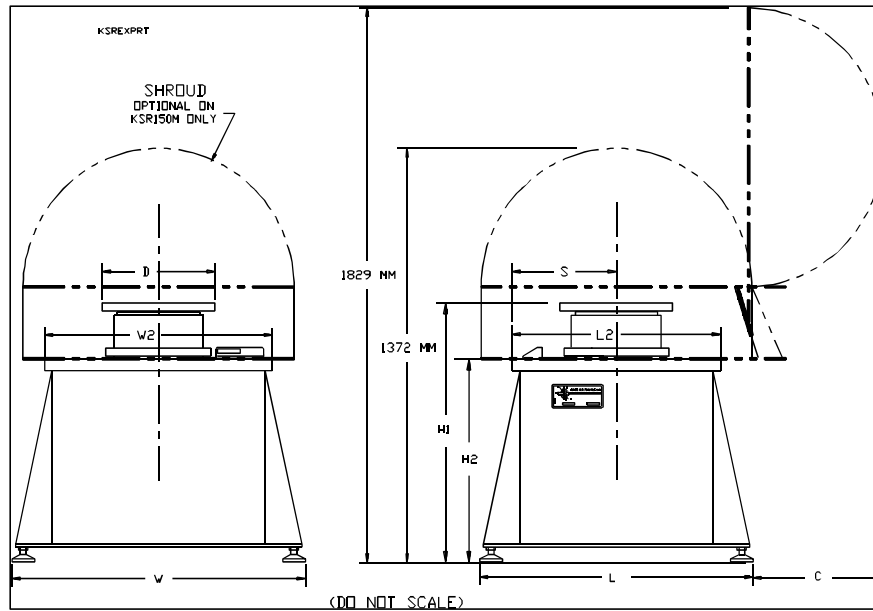


KSR Specifications - Metric Units

COMBINED CG & MOI INSTRUMENTS (export)								
Model	Recommended Payload Weight Range (kg.)	Full Scale Moment (kg-cm)	Maximum Overturning Moment (kg-cm)	Maximum CG Height (part wt @ CG ht)	Table Diameter (mm)	Tare MOI (kg-cm ²)	CG Accuracy (kg-mm)	MOI Accuracy (kg-cm ²)
KSR330-6	0,1 - 9	7	700	9 kg @ 150 mm	254		0,1% + 0,006	0,1% + 0,09
KSR330-20	0,5 - 18	23	700	18 kg @ 600 mm	254		0,1% + 0,01	0,1% + 0,09
KSR330-60	1,4 - 54	70	700	54 kg @ 600 mm	254		0,1% + 0,03	0,1% + 0,09
KSR1320-150	22-350	170	4,600	225 kg @ 600	292	1,024	0,1% + 0,11	0,1% + 0,6
KSR1320-300	22-350	350	4,600	225 kg @ 915 mm	292	1,024	0,1% + 0,23	0,1% + 0,6
KSR1320-600	46-600	700	4,600	450 kg @ 915 mm	292	1,024	0,1% + 0,5	0,1% + 0,6
KSR1320-1500	45-600	1,700	4,600	450 kg @ 1200 mm	292	1,024	0,1% + 0,7	0,1% + 0,6
KSR2200	45-1000	2,900	29,000	640 kg @ 2000 mm	406*	5,414	0,1% + 1.1	0,1% + 2,1
KSR6000	90-2720	5,800	29,000	1350 kg @ 2500 mm	584*	21,948	0,1% + 3.5	0,1% + 5.9
KSR8000	90 - 3630	5,800	29,000	1350 kg @ 2500 mm	762		0,1% + 3.5	0,1% + 5.9
KSR13200	225 - 5990	9,200	46,000	2720 kg @ 2286 mm	1016		0,1% + 17.2	0,1% + 12
KSR17000	225 - 7700	18,400	80,650	5900 kg @ 3400 mm	1016	317,000	0,1% + 92	0,1% + 50
KSR20000	450 - 9070	41,500	80,650	5900 kg @ 3400 mm	1524	1,128,660	0,1% + 92	0,1% + 200

OPTIONS	DESCRIPTION	APPLICABLE MODELS				
SE9603	Low Tare Table (114mm) - 79 kg-cm ² - MOI Accuracy (+/- 0,1% + 0,018 kg-cm ²)	KSR330	----		----	----
SE9606	Single Riser Shroud (shield from drafts)	KSR330	----		----	----
SE9608	Oversize Table (584 mm dia) - tare MOI 21070 kg-cm ²	----	----		KSR2200	----
SE9611	Anti-rotation Lock (Must purchase oversize table SE9608)	----	----		KSR2200	----
SE9612	Grounded Mounting Plate (<100 ohm)	KSR330	KSR1320		KSR2200	KSR6000
SE9604	Explosion Proof (Class II)	KSR330	----		----	----
SE9605	Explosion Proof (Class I,II)	KSR330	----		----	----
SE9619	Explosion Proof (Class II)	----	KSR1320		----	----
SE9620	Explosion Proof (Class I,II)	----	KSR1320		----	----
SE9615	Explosion Proof (Class II)	----	----		KSR2200	KSR6000
SE9616	Explosion Proof (Class I,II)	----	----		KSR2200	KSR6000
SE9621	Oversized Table (406 mm dia) tare MOI 3531 kg-cm ²	----	KSR1320		----	----
SE9623	Spare Parts Kit	----	----		KSR2200	----
SE9624	Spare Parts Kit	KSR330	----		----	----
SE9625	Spare Parts Kit	----	KSR1320		----	----
SE9626	Spare Parts Kit	----	----		----	KSR6000
SE9766	Quiet Air Supply w/dryer - replaces SE9614	KSR330	KSR1320		KSR2200	KSR6000

KSR Specifications - Metric Units



MODEL	OVERALL WIDTH (W)	TOP PLATE WIDTH (W2)	OVERALL LENGTH (L)	TOP PLATE LENGTH (L2)	OVERALL HEIGHT		TOP PLATE HEIGHT (H2)	INTERFACE PLATE DIA. (D)
KSR330 (ALL)	660	660	813	813	890		710	254
KSR1320	790	790	775	775	860		690	292
KSR2200	1350	790	1550	990	1320		1042	406
KSR6000	1350	790	1550	990	1372		1042	584
KSR8000	1525	1016	1780	1220	1600		1270	584
MODEL	C'LINE SETBACK (S)	BEARING TYPE/DIA. (B)	AIR USAGE Liters per Minute	SHROUD OPEN/CLOSED HEIGHT	SHROUD SETBACK (C)		INSTRUMENT WEIGHT (kg.)	SHIPPING WT. (TYP.) kg.
KSR330 (ALL)	254	FLAT/CYL 197	57	1829/1372	430		250	680
KSR1320	330	SPHERICAL 254	57	N/A	N/A		320	725
KSR2200	495	SPHERICAL 356	113	N/A	N/A		1025	1570
KSR6000	495	SPHERICAL 457	113	N/A	N/A		1090	1795
KSR8000	610	SPHERICAL 584	113	N/A	N/A		3085	3950

- Notes:
- All dimensions (mm)
 - All instruments require clean, dry instrument air or nitrogen
 - All instruments require 120-VAC 50/60 Hz 15A single phase electrical power source
 - All instruments require stable 140 mm minimum thickness concrete floor on grade
 - All instruments have a 7.5 meter standard cable length (extra length available at extra cost.)