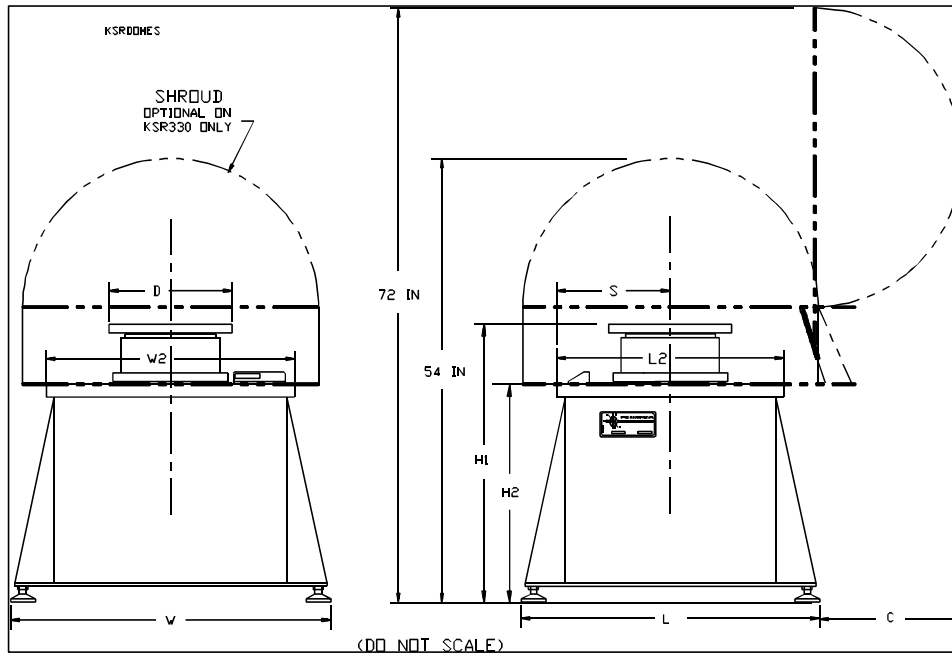


## KSR Product Specifications

COMBINED CG & MOI INSTRUMENTS							
MODEL	Recommended Payload Weight Range (lb)	Full Scale Moment (lb-in)	Maximum Overturning Moment (lb-in)	Maximum CG Height (part wt @ CG Ht)	Table Diameter (in)	CG Accuracy (lb-in)	MOI Accuracy (lb-in <sup>2</sup> )
KSR330-6	0.25 - 20	6	600	20 LB @ 6 IN	10	0.1% + 0.0005	0.1% + 0.03
KSR330-16	1 - 40	16	600	40 LB @ 24 IN	10	0.1% + 0.001	0.1% + 0.03
KSR330-60	3 - 120	60	600	120 LB @ 24 IN	10	0.1% + 0.003	0.1% + 0.03
KSR1320-150	50 - 800	150	4000	500 LB @ 24 IN	11.5	0.1% + 0.01	0.1% + 0.2
KSR1320-300	50 - 800	300	4000	500 LB @ 36 IN	11.5	0.1% + 0.02	0.1% + 0.2
KSR1320-600	100 - 1320	600	4000	1000 LB @ 36 IN	11.5	0.1% + 0.04	0.1% + 0.2
KSR1320-1500	100-1320	1500	4000	1000 LB @ 48 IN	11.5	0.1% + 0.06	0.1% + 0.2
KSR2200	100 - 2200	2500	25,000	1400 LB @ 80 IN	16*	0.1% + 0.1	0.1% + 0.7
KSR6000	200 - 6000	5000	25,000	3000 LB @ 100 IN	23*	0.1% + 0.3	0.1% + 2
KSR8000	200 - 8000	5000	25,000	3000 LB @ 100 IN	30	0.1% + 0.3	0.1% + 2
KSR13200	500 - 13200	8000	40,000	6000 LB @ 90 IN	40	0.1% + 1.5	0.1% + 4.1
KSR17000	500 - 17000	16000	70,000	13000 LB @ 135 IN	40	0.1% + 8	0.1 + 10
KSR20000	1000 - 20000	36000	70,000	13000 LB @ 135 IN	60	0.1% + 8	0.1 + 10
OPTIONS	DESCRIPTION			APPLICABLE MODELS			
SE9603	Low Tare Table (4.5" dial) - Tare MOI - 36 lb-in <sup>2</sup> - MOI Accuracy +/- 0.1% + 0.006 lb-in <sup>2</sup>			KSR330	----	----	----
SE9606	Single Riser Shroud (shield from drafts)			KSR330	----	----	----
SE9608	Oversize Table (23" dia) - tare MOI 5000 lb-in <sup>2</sup>			----	----	KSR2200	----
SE9611	Anti-rotation Lock (Must purchase oversize table SE9608)			----	----	KSR2200	----
SE9612	Grounded Mounting Plate (<100 ohm)			KSR330	KSR1320	KSR2200	KSR6000
SE9604	Explosion Proofing (Class II)			KSR330	----	----	----
SE9605	Explosion Proofing (Class I and II)			KSR330	----	----	----
SE9619	Explosion Proofing (Class II)			----	KSR1320	----	----
SE9620	Explosion Proofing (Class I and II)			----	KSR1320	----	----
SE9615	Explosion Proofing (Class II)			----	----	KSR2200	KSR6000
SE9616	Explosion Proofing (Class I and II)			----	----	KSR2200	KSR6000
SE9621	Oversized Table (16" dia) tare MOI 1204 lb-in <sup>2</sup>			----	KSR1320	----	----
SE9623	Spare Parts Kit			----	----	KSR2200	----
SE9624	Spare Parts Kit			KSR330	----	----	----
SE9625	Spare Parts Kit			----	KSR1320	----	----
SE9626	Spare Parts Kit			----	----	----	KSR6000
SE9766	Quiet Air Supply with dryer			KSR330	KSR1320	KSR2200	KSR6000

## KSR Product Specifications



MODEL	OVERALL WIDTH (W)	TOP PLATE WIDTH (W2)	OVERALL LENGTH (L)	TOP PLATE LENGTH (L2)	OVERALL HEIGHT	TOP PLATE HEIGHT (H2)	INTERFACE PLATE DIA. (D)
KSR330	26	26	32	32	35	28	10
KSR1320	31	31	30.5	30.5	34	27	11.5
KSR2200	53	31	61	39	52	41	16
KSR6000	53	31	61	39	54	41	23
KSR8000	60	40	70	48	63	50	23
MODEL	C'LINE SETBACK (S)	BEARING TYPE/DIA. (B)	AIR USAGE CFM	SHROUD OPEN/CLOSED HEIGHT	SHROUD SETBACK (C)	INSTRUMENT WEIGHT (LBS.)	SHIPPING WT. (TYP.) LBS.
KSR330	10	FLAT/CYL 7.75	2	72/54	17	550	1500
KSR1320	13	SPHERICAL 10.0	2	N/A	N/A	700	1600
KSR2200	19.5	SPHERICAL 14.0	4	N/A	N/A	2255	3450
KSR6000	19.5	SPHERICAL 18.0	4	N/A	N/A	2400	3950
KSR8000	24	SPHERICAL 23.0	4	N/A	N/A	6800	8700

- Notes:**
- All dimensions (inches)
  - All instruments require clean, dry instrument air or nitrogen
  - All instruments require 120VAC 50/60 Hz 15A single phase electrical power source
  - All instruments require stable 5.5 inch minimum thickness concrete floor on grade
  - All instruments have 25 foot standard cable length (extra length available at extra cost.)